



EVERPURE® COLDRINK® SERIES FILTER SYSTEMS



Figure 1 Coldrink 1 System



Figure 2 Coldrink 2 System



Figure 3 Coldrink 3 System

SELECT A MOUNTING LOCATION

1. Give consideration to the weight of the unit when operating (filled with water). Operating weights of the Coldrink Systems are:
 - System 1 - 19 lbs (8.62 kg)
 - System 2 - 35 lbs (15.9 kg)
 - System 3 - 45 lbs (20.4 kg)
2. The location should allow for:
 - Minimum clearance of 2-1/2" (6.4 cm) under the cartridge(s) so it can be lowered for removal and replacement.
 - Adequate space for "in" and "out" water line connections.
 - Be near a drain for flushing and near a 110V outlet if the accessory (sold separately) Everguard™ Low Pressure Alarm is used. See Figures 1-6.

INSTALLATION

1. Use the predrilled mounting holes in the manifold bracket as guides. Mark and drill anchor holes. Mount securely. See Figures 4-6.
2. Shut off power to equipment.
3. Connect outlet port of Coldrink System to equipment served. Always use a NSF approved pipe dope or plumber tape at all connections. Use a backup wrench on all fittings while connecting to avoid excessive stress on the system components.
4. Install a manual shut-off valve leading to the system for servicing.
5. Connect minimum 3/8" water line to the Coldrink 1 System inlet. Use a minimum 1/2" for Coldrink 2 and 3 Systems.
6. Connect tubing to flushing valve and run to drain. The cross fitting has a flushing valve installed on the bottom.
7. Shut off the system inlet valve located on the inlet of the prefilter head.
8. Check to be sure the o-ring on the prefilter housing is sufficiently lubricated. Use a good grade of silicone lubricant, if needed. Position the EC210 Prefilter Cartridge on guide seat in the bottom of the bowl. Then thread the bowl into the head by hand. Use a sump wrench to snug the bowl onto the head.
9. Install the carbon filter cartridge(s) into the filter head(s) following directions on the cartridge label or as shown in the Cartridge Change Change Procedure section illustrations.
10. Turn on inlet water to the filter system and check for leaks.

NOTE: Some municipal plumbing codes and good sanitary practices require an air gap at the drain termination point.

11. Open the flushing valve and flush the cartridge(s) by running water through at full force for five (5) minutes. This will set the filtering media and purge any air and fines, insuring maximum filter life. See illustrations.
12. After flushing, close the flushing valve, turn on power to equipment, and plug the LPA (if so equipped) into the electrical outlet. The system is ready for operation.

Check for compliance with state and local laws and regulations. Do not use with water that is microbiologically unsafe or of unknown quality without adequate disinfection before or after the system. Systems certified for cyst reduction may be used on disinfected waters that may contain filterable cysts.

For installations in Massachusetts, the Commonwealth of Massachusetts Plumbing Code 248 CMR shall be adhered to. Consult your licensed plumber for installation of the system. This system and its installation must comply with state and local regulations.

DIMENSIONS

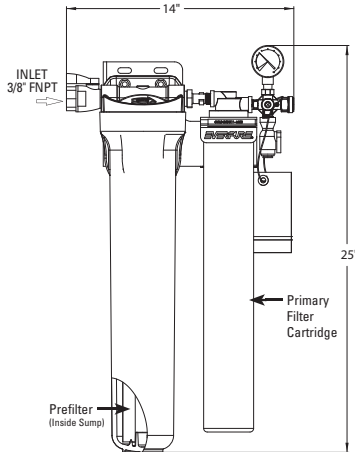


Figure 4 – Coldrink 1

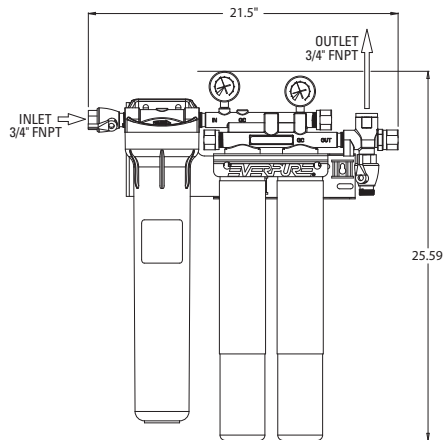


Figure 5 – Coldrink 2

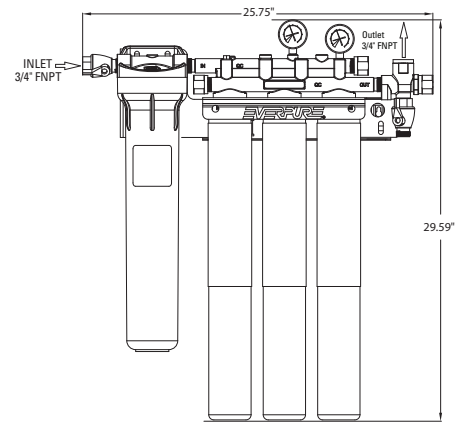


Figure 6 – Coldrink 3

FLUSHING

For maximum life, all carbon filter cartridges must be flushed for five (5) minutes at full flow before use.

ALL NEW CARTRIDGES MUST BE FLUSHED AFTER EACH CARTRIDGE CHANGE BEFORE BEING PUT INTO SERVICE!

If the cartridges are new, have been properly flushed and both needle and follower register inadequate pressure, or the LPA is sounding, you may be experiencing inadequate water pressure or some restriction may exist in the inlet water line. In either case, the incoming water pressure must be improved to receive optimum filter life.

COMPLETE CARTRIDGE CHANGE INSTRUCTIONS CAN BE FOUND ON THE FILTER CARTRIDGE LABEL.

Not for residential use. For food service applications only.

CARTRIDGE CHANGE DETERMINATION

Replace the prefilter cartridge whenever it becomes excessively dirty (observed visually or by flow restriction). Follow the change instructions provided with the cartridge. Replace carbon filter cartridges when capacity is reached, or when flow becomes inadequate, but at least annually. All carbon filter cartridges on multiple cartridge systems should be changed at the same time. The system pressure gauge or accessory (sold separately) Everguard™ Low Pressure Alarm (LPA) provide quick, simple means of determining when the filter cartridge(s) should be checked. Installed on the system outlet manifold, the gauge or LPA can be used to monitor both dynamic (flowing) and static (line) pressure. The cartridge(s) should be changed when the pressure gauge needle is in the red area while equipment is in operation, and yet the needle shows adequate line pressure between cycles. Observe the needle during the next equipment on cycle. If the needle registers adequate pressure, it can be assumed that the temporary low-pressure condition was caused by a brief power failure or other incoming pressure disruption. If the low pressure condition is not due to an external condition, check/change the prefilter first. If the low pressure condition is still not corrected, change the carbon filter cartridges.

REPLACEMENT PARTS

Contact your local Pentair® Everpure® dealer for system replacement parts.

DESCRIPTION	PART NUMBER
Outlet Pressure Gauge	EV3114-09
Inlet Pressure Gauge (Coldrink 3 & 4)	EV3114-09
Inlet/flushing Valve	EV3114-07
O-ring for Prefilter	EV3112-40
Prefilter Bowl	EV3112-38



System Tested and Certified by NSF International against NSF/ANSI Standard 42 and 53 for the reduction of:

**Standard No. 42 —
Aesthetic Effects**

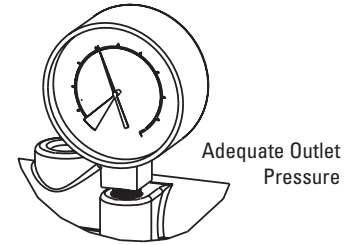
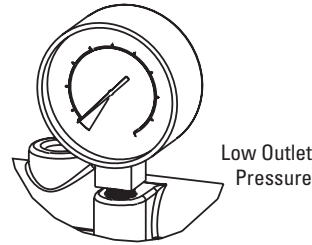
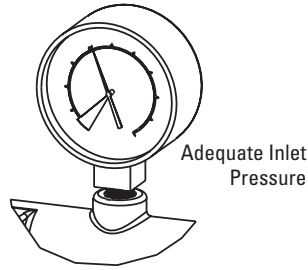
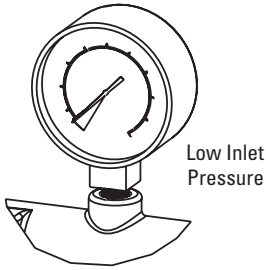
Bacteriostatic Effects
(MC² and XC² only)
Chemical Reduction
Taste and Odor
Chlorine

Mechanical Filtration
Nominal Particulate Class I
(MC, MC², XC, XC² only)

**Standard No. 53 —
Health Effects**

Mechanical Filtration
Cyst (MC, MC², XC, XC² only)
Asbestos (MC and MC² only)

PRESSURE GAUGES



CARTRIDGE CHANGE PROCEDURE

<p>E-Series Prefilter Cartridge Change</p> <p>1. Shut off power to equipment. Shut off inlet water ahead of system.</p>	<p>2. Push red relief valve. Unscrew bowl. Remove prefilter cartridge.</p>	<p>3. Clean bowl with filtered water only; NO SPECIAL CLEANERS.</p>	<p>4. Feel head o-ring. If dry, lubricate with high quality silicone lubricant.</p>	<p>5. Install new prefilter cartridge in bowl. Hand tighten bowl onto head.</p>	<p>6. Turn on water. Turn on power to equipment.</p>
<p>Everpure Carbon Filter Cartridge Change</p> <p>1. Shut off power to equipment. Shut off inlet water ahead of system.</p>	<p>2. Open flushing valve to relieve pressure.</p>	<p>3. Hold head firmly and push upward. Turn cartridge to left until it stops.</p>	<p>4. Pull cartridge downward and out of head.</p>	<p>5. Hold head firmly. Align cartridge lug with label. Insert new cartridge firmly into head.</p>	<p>6. Turn cartridge right 90° until rotation stops.</p>
<p>Flushing</p> <p>7. Repeat steps 3-6 for remaining cartridges.</p> <p>8. With flushing valve fully open, open inlet water at full force for five minutes. Close flushing valve.</p> <p>9. Turn on power to equipment</p>					

OPERATING SPECIFICATIONS

COMBINED MODEL NAME	REPLACEMENT CARTRIDGE	FLOW RATE		CAPACITY	
		GPM	LPM	GALLONS	LITRES
Coldrink System 1 - MC	MC	1.67	6.3	9,000	34,000
Coldrink System 1 - MC ²	MC ²	1.67	6.3	12,000	45,420
Coldrink System 1 - XC	XC	1.67	6.3	12,000	45,420
Coldrink System 1 - XC ²	XC ²	1.67	6.3	12,000	45,420
Coldrink System 1 - 4CB5	4CB5	1.67	6.3	6,000	22,710
Coldrink System 1 - 7CB5	7CB5	2.5	9.4	10,000	67,850
Coldrink System 2 - MC	MC	3.3	12.6	18,000	68,000
Coldrink System 2 - MC ²	MC ²	3.3	12.6	18,000	68,000
Coldrink System 2 - XC	XC	3.3	12.6	24,000	90,840
Coldrink System 2 - XC ²	XC ²	3.3	12.6	24,000	90,840
Coldrink System 2 - 4CB5	4CB5	3.3	12.6	12,000	45,420
Coldrink System 2 - 7CB5	7CB5	5.0	18.9	20,000	75,700
Coldrink System 3 - MC	MC	5.0	18.9	27,000	102,000
Coldrink System 3 - MC ²	MC ²	5.0	18.9	27,000	102,000
Coldrink System 3 - XC	XC	5.0	18.9	36,000	136,260
Coldrink System 3 - XC ²	XC ²	5.0	18.9	36,000	136,260
Coldrink System 3 - 4CB5	4CB5	5.0	18.9	18,000	68,000
Coldrink System 3 - 7CB5	7CB5	7.5	28.2	30,000	113,550

* For individual cartridge specifications, refer to cartridge literature.

Temperature

35-100°F [2-38°C]

Pressure

10-125 psi (0.7-8.6 bar), non-shock

For cold water use only.

The term 'bacteriostatic' indicates that the system limits the passage or growth of bacteria that may already exist in the incoming water. It does not mean that the water leaving the system is safer to drink than the water entering the system.

EPA Est. No. 002623-IL-002



FILTRATION & PROCESSING SOLUTIONS

EVERPURE-SHURFLO WORLD HEADQUARTERS, 1040 MUIRFIELD DRIVE, HANOVER PARK, IL 60133 USA • WWW.EVERPURE.COM
800.942.1153 MAIN (US ONLY) • 800.942.1153 (US ONLY) • 630.307.3000 MAIN • 630.307.3030 FAX • CSEVERPURE@PENTAIR.COM EMAIL

PENTAIR AUSTRALIA/NEW ZEALAND, 1-21 MONASH DRIVE, DANDENONG SOUTH, VIC 3175, AUSTRALIA
1300.576.190 TEL • AU.EVERPURE@PENTAIR.COM EMAIL

EVERPURE-SHURFLO CHINA, 21F CLOUD 9 PLAZA, NO 1118, SHANGHAI, 200052, CHINA
86.21.3211.4588 TEL • 86.21.3211.4580 FAX • CHINA.WATER@PENTAIR.COM EMAIL

EVERPURE-SHURFLO INDIA, GREEN BOULEVARD, B-9/A, 7TH FLOOR - TOWER B SECTOR 62, NOIDA - 201301
91.120.419.9444 TEL • 91.120.419.9400 FAX • INDIACUSTOMER@PENTAIR.COM EMAIL

EVERPURE-SHURFLO EUROPE, PENTAIR WATER BELGIUM BVBA, INDUSTRIEPARK WOLFSTEE, TOEKOMSTLAAN, 30 B-2200 HERENTALS, BELGIUM
+32.(0).14.283.500 TEL • +32.(0).14.283.505 FAX • SALES@EVERPURE-EUROPE.COM EMAIL

EVERPURE-SHURFLO JAPAN INC., HASHIMOTO MN BLDG. 7F, 3-25-1 HASHIMOTO, MIDORI-KU, SAGAMIHARA-SHI KANAGAWA 252-0143, JAPAN
81.(0)42.775.3011 TEL • 81.(0)42.775.3015 FAX • INFO@EVERPURE.CO.JP EMAIL

EVERPURE-SHURFLO SOUTHEAST ASIA, 390 HAVELOCK ROAD, #04-01, KING'S CENTRE, SINGAPORE 169662
65.6795.2213 TEL • FAX: 65.6795.2219 FAX • CSEVERPURE@PENTAIR.COM EMAIL

All Pentair trademarks and logos are owned by Pentair, Inc. or its affiliates. All other registered and unregistered trademarks and logos are the property of their respective owners. Because we are continuously improving our products and services, Pentair reserves the right to change specifications without prior notice. Pentair is an equal opportunity employer.

© 2014 Pentair Filtration Solutions, LLC. All Rights Reserved.

EV3112-79 Rev G MY14